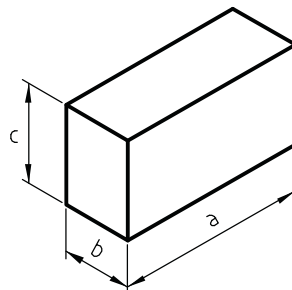


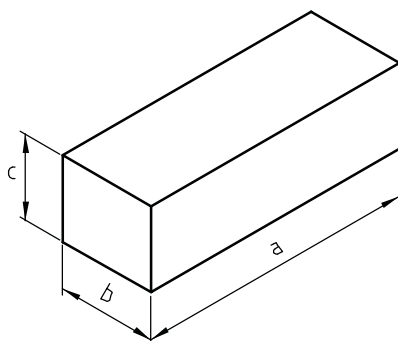
POWER / ROUND BRIDGES / DUAL IN LINE / THIN DFM

DEVICE TYPE (OUTLINE)	BOX SIZE			UNITS PER BOX	UNITS PER TUBE	APROX. WEIGHT PER BOX
	a	b	c			
B... C800, C1000, C1500 R, WL...F, WF / ("A" / "B")	208	78	108	1000/(3000)		1.30 Kg.
FB 10 - 15 - 25 - 35 - 50	208	78	108	70		1.0 Kg.
FB 10L - 15L - 25L - 35L	208	78	108	40		0.65 Kg.
FB10M - FB15M - FB25M - FB35M	208	78	108	100		2.90 Kg.
DF-M - THIN DFM	465	165	140	5000	50	4.52 Kg.

ROUND / POWER BOX



DIL BOX



DIL ANTISTATIC PLASTIC TUBE

