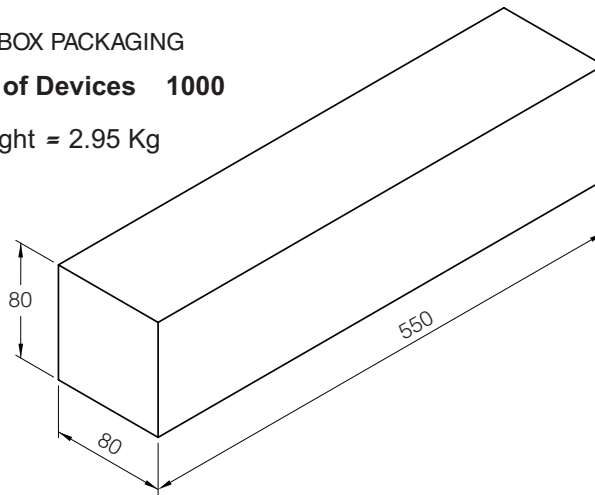


INSULATED TO-220AB

BOX PACKAGING

No. of Devices 1000

Weight = 2.95 Kg



ANTISTATIC PLASTIC TUBE

No. of Devices 50

