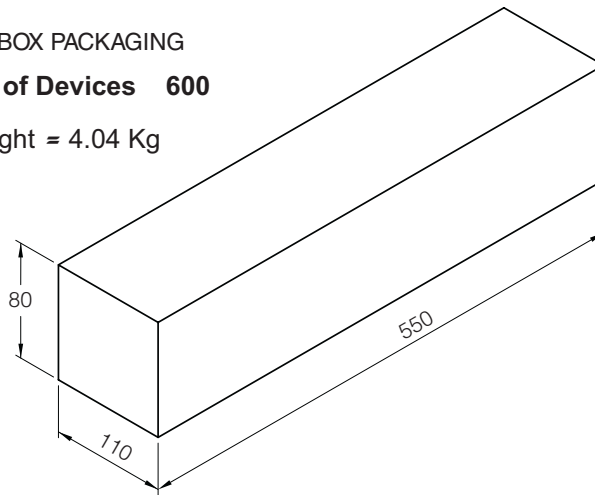


INSULATED TO3P

BOX PACKAGING

**No. of Devices 600**

Weight = 4.04 Kg



ANTISTATIC PLASTIC TUBE

**No. of Devices 30**

