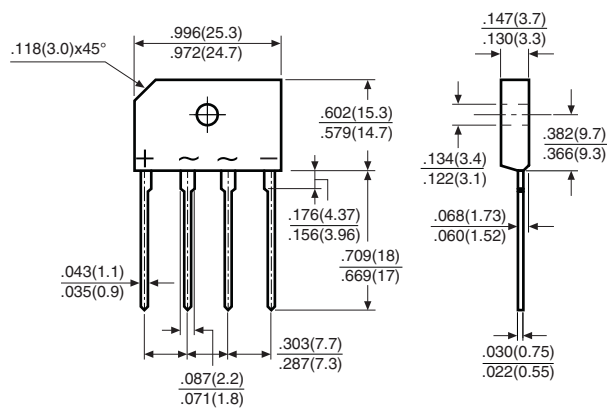


Package Outlines IN LINE MEDIUM



Dimensions in inches and (millimeters)