

To enjoy digital TV
to the full...



...you need more than just
good company.



microMatv

PROGRAMMABLE SELECTIVE AMPLIFIER

pro

(Patent Pending)

The INTELLIGENT Selective Amplifier can process up to 60 channels and is compatible with digital TV.

- 10 UHF filters with programmable width, **from 1 to 6 channels**
- Automatic identification of **digital/analogue** channel type
- Automatic Equalization System (**AES**)
- Real-time **AGC to all** channels (C version)
- Simple, intuitive programming menu with 2-line, 16-character **alphanumeric display**.



microMatv

pro

PROGRAMMABLE SELECTIVE AMPLIFIER

(Patent Pending)

MEETING THE DEMANDS OF PROGRESS



**AUTOMATIC EQUALIZATION
SYSTEM
(AES)**



**AUTOMATIC GAIN
CONTROL**
(Mod. 100C, 200C, and 300C)



**AUTOMATIC DIGITAL/ANALOGUE
IDENTIFICATION**



**PLL
CONTROLLED**



**ANTENNA
INPUT RESISTANCE**
(EN-50083-3)



**SHIELDING
75 dB - UHF**



**An exceptional solution,
now in its third generation**

In 1993 Fagor reached a decisive milestone with the development of the first programmable selective amplifier, the MicroMATV, a revolutionary system for TV reception.

A few years later the **MicroMATV plus** was launched, an improved version whose main new feature was AES (Automatic Equalization System). In 2005, Fagor used its experience in developing these units to launch the **MicroMATV pro**, which was the evolution of the traditional MicroMATV into a smart system able to process a greater number of channels and fully compatible with digital TV. It is the only amplifier on the market to automatically recognise channel type and apply real-time Automatic Gain Control to every one of the UHF channels processed.

Opening the door to the digital future



INTELLIGENT

- **AGC function**, for maintaining a constant output level at UHF.
- **AES function**, automatic equalization of output levels.
- Automatic recognition of channel type (**digital or analogue**).
- Adjustment of analogue and digital channel levels with no need for notes or calculation.
- Extraordinary accuracy and stability of channels with **PLL** control.
- Error display.

GREATER CAPACITY

- **10** UHF filtering modules. Each filter allows **1 – 6 channels** to be programmed.
- Includes a **1st IF SAT** amplification option.
- **Auxiliary input** for channels processed by other units.
- Specific **BI, FM, DAB/BIII** treatment.

EASY PROGRAMMING

- Simple, intuitive menu.
- Control unit with 2-line, 16-character night vision **alphanumerical** display.
- **Programming** of: inputs, initial channel, final channel, gain adjustment, output level, etc.
- With **memory** for cloning up to 8 different configurations and one-key programming of more than one **MicroMATV pro**, in record time.

HEAVY DUTY

- Class "**A**" shielding (75 dB).
- **Immune** to emissions from other systems (GSM, UMTS, etc.).
- Chassis made entirely in **zamak**.

4 different models

There are 4 different models to choose from, depending on your needs:

- **MicroMATV pro 100**: RF output.
- **MicroMATV pro 100 C**: RF output. With AGC.
- **MicroMATV pro 200 C**: RF+IF output. With AGC.
- **MicroMATV pro 300 C**: 2 outputs: RF+IF / RF. With AGC.



Note: The models with AGC are ideal for areas with where the antenna signal level varies and produces fading due to meteorological changes.

FAGOR

INPUTS

Band	FM	BI	BIII/DAB	AUX	UHF1	UHF2	UHF3	(1) 1 st IF-SAT	
Bandwidth MHz	87,5÷108	47÷68	174÷230	47÷ 68 130÷ 862	470÷ 862	470÷ 862	470÷ 862	950÷2150	
Nº of amplifiers	1	1	1	1	10			1	
Filter width	Fixed				Variable: 1÷ 6 channels			Fixed	
Configuration of amplifiers per input	No				6	4	0	No	
					6	3	1		
					10	0	0		
Gain dB	40	40	40	23	53	53	53	37÷45 (1)	
IN Regulation dB	—	25	23	—	23	23	23	—	
OUT Regulation dB	25	20				20			20
AGC (MicroMATV pro 100C, 200C and 300C)	No				Programmable			No	
Selectivity ÷20 MHz dB	—				22			—	
NF dB	6	6	8	15	8	8	8	15	
Operational input level dBµV	71/101	70/95	70/93	90	60/83			68/88	
Decoupling between inputs dB	—				20			—	

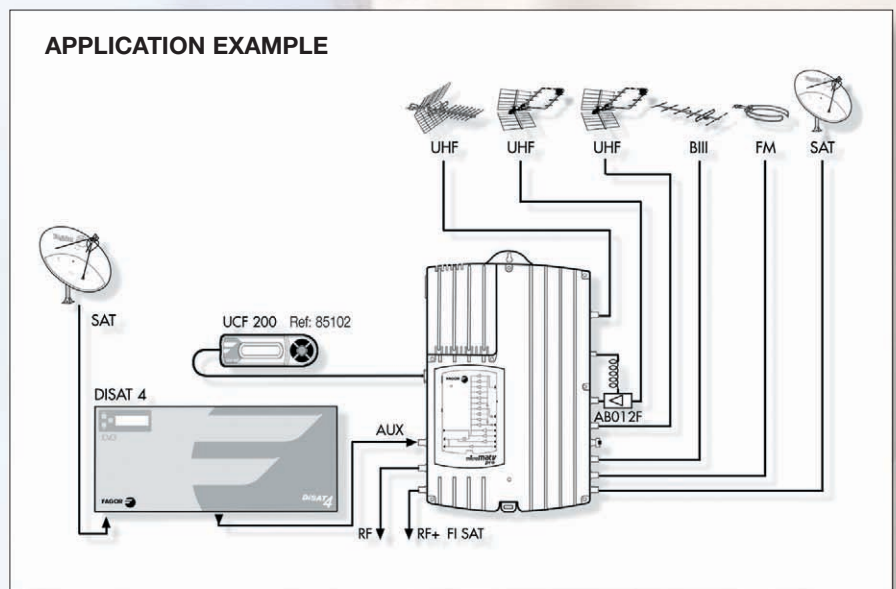
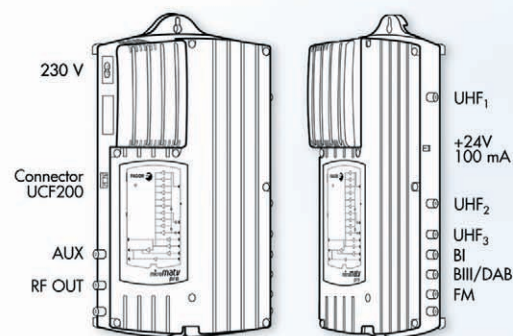
OUTPUTS

MODEL	MicroMATV pro 100	MicroMATV pro100C	MicroMATV pro 200C	MicroMATV pro 300C
Reference	35560	35580	35552	35553
Nº of outputs	1	1	1	2
Band	RF	RF	RF+1 st IF SAT	RF RF+1 st IF SAT
Bandwidth MHz	47÷68 130÷862	47÷68 130÷862	47÷68 130÷862	47÷68 130÷862 47÷68 130÷862
Vo IM3 DIN45004B (2) dBµV	121	121	121	121 (3) 117 117 121 (3)

GENERAL

Supply to LNBS	0V / 13V / 17V / 0Hz / 22KHz, 300mA
Supply to pre-amplifiers	24V/100mA
Mains supply	230V ± 15%
Working temperature	0-50 °C

- (1). - 1st IF-SAT input on MicroMATV pro 200C and MicroMATV pro 300C models only.
- (2). - IM3 -60 dBc for TV and -35 dBc for FM, DAB and 1st IF SAT.
- (3). - Fixed 8 dB slope between begin and end of band.



Ref: 9I065

Fagor Electrónica, S. Coop.

San Andrés, s/n.
E-20500 Mondragón (Spain)
Tel.: +34 943 712526
Fax: +34 943 712893
E-mail: rf.sales@fagorelectronica.es
www.fagorelectronica.com